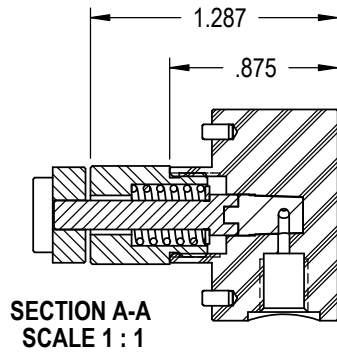
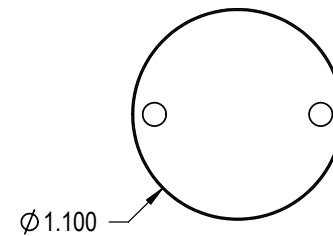
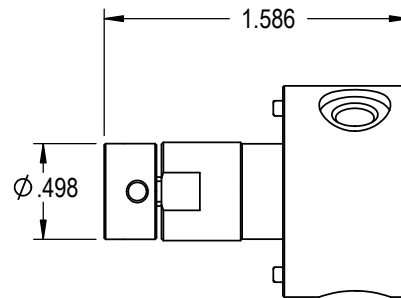
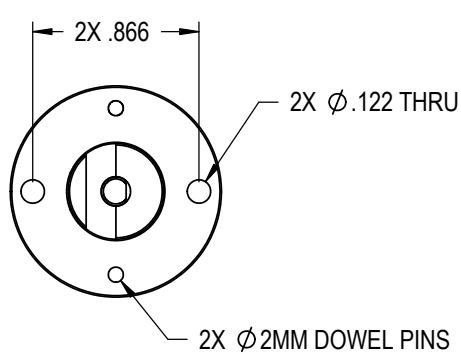
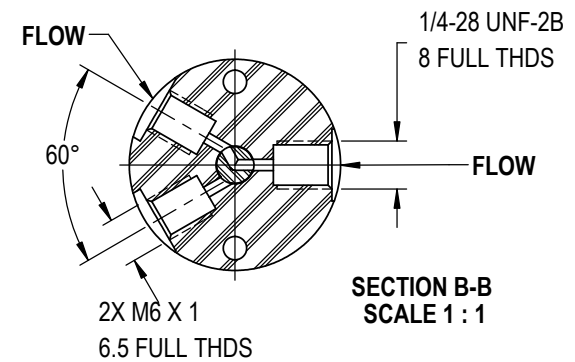
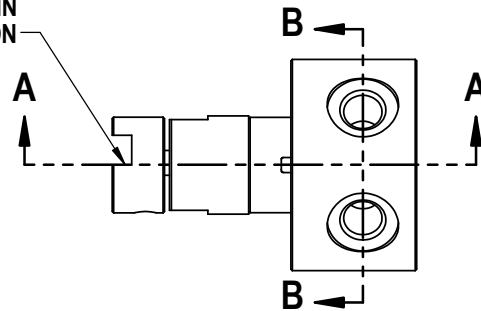


| DATE | REV | DESCRIPTION | ENG | APPROVED |
|-------|-----|-----------------|-----|----------|
| 05/16 | IR | INITIAL RELEASE | SS | MM |
| | | | | |



FLOW WHEN FLAT IS IN HORIZONTAL POSITION



FLEX FLUIDICS

LAS VEGAS, NV.

TITLE:

**3 WAY VALVE
ASSEMBLY XP**

PROPRIETARY AND CONFIDENTIAL
THE INFORMATION CONTAINED IN THIS DRAWING IS THE SOLE PROPERTY OF FLEX FLUIDICS. ANY REPRODUCTION IN PART OR AS A WHOLE WITHOUT THE WRITTEN PERMISSION OF FLEX FLUIDICS IS PROHIBITED.
DO NOT SCALE DRAWING

CUST: _____
CUST P/N: _____
MAT: _____
DATE: 05/16

UNLESS OTHERWISE SPECIFIED:
DIMENSIONS ARE IN INCHES
ANGULAR: $\pm 1^\circ$
TWO PLACE DECIMAL: $\pm .015$
THREE PLACE DECIMAL: $\pm .005$
BREAK SHARP EDGES: .005 MAX
INSIDE CORNER RADII: .005 MAX
CONCENTRICITY .003 TIR
SURFACE FINISH: 32 RMS

SIZE
A

DWG. NO.

938051XP

REV
IR

SCALE: 1:1

SHEET 1 OF 1