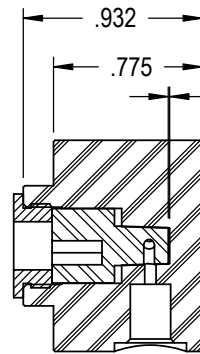


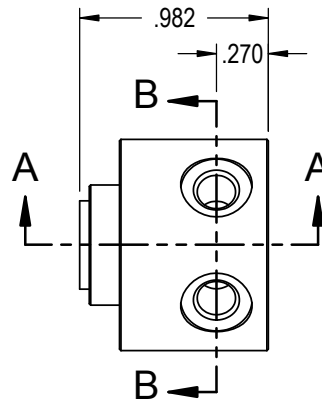
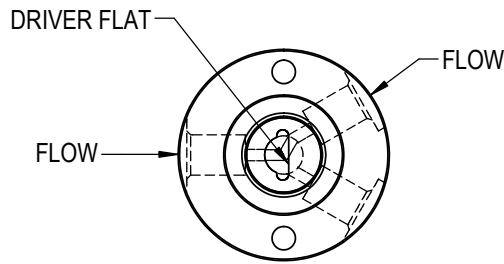
| DATE | REV | DESCRIPTION | ENG | APPROVED |
|-------|-----|-----------------|-----|----------|
| 05/16 | IR | INITIAL RELEASE | SS | MM |
| | | | | |



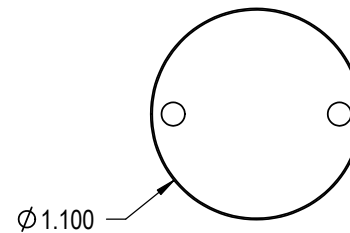
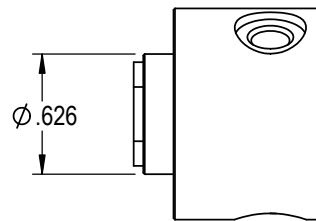
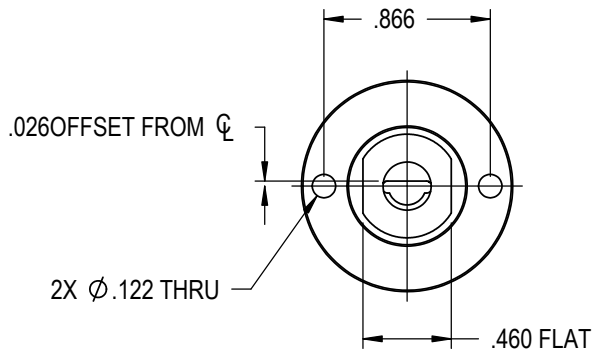
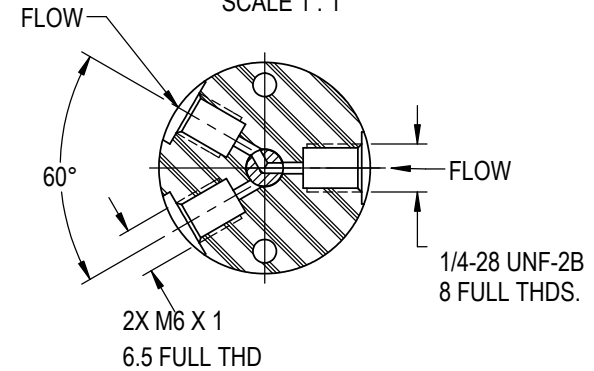
.007 NOMINAL GAP WHEN PLUG AND CAP ARE IN CONTACT.

SECTION A-A
SCALE 1:1

FLOW WHEN DRIVER FLAT IS IN VERTICAL POSITION
(VALVE CAP NOT SHOWN IN THIS VIEW)



SECTION B-B
SCALE 1:1



FLEX FLUIDICS

LAS VEGAS, NV.

TITLE: VALVE ASSEMBLY XE

PROPRIETARY AND CONFIDENTIAL
THE INFORMATION CONTAINED IN THIS DRAWING IS THE SOLE PROPERTY OF FLEX FLUIDICS. ANY REPRODUCTION IN PART OR AS A WHOLE WITHOUT THE WRITTEN PERMISSION OF FLEX FLUIDICS IS PROHIBITED.
DO NOT SCALE DRAWING

CUST:
CUST P/N:
MAT:
DATE: 05/16

UNLESS OTHERWISE SPECIFIED:
DIMENSIONS ARE IN INCHES
ANGULAR: ±1°
TWO PLACE DECIMAL: ±.015
THREE PLACE DECIMAL: ±.005
BREAK SHARP EDGES: .005 MAX
INSIDE CORNER RADII: .005 MAX
CONCENTRICITY .003 TIR
SURFACE FINISH: 32 RMS

SIZE **A** DWG. NO. 938151XE REV **IR**

SCALE: 1:1 SHEET 1 OF 1