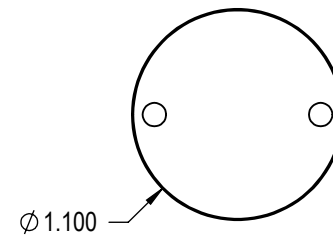
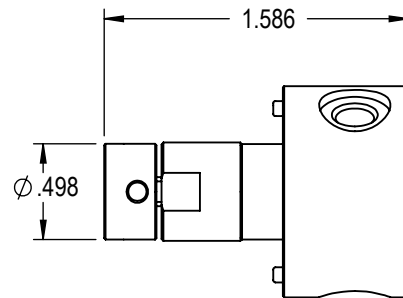
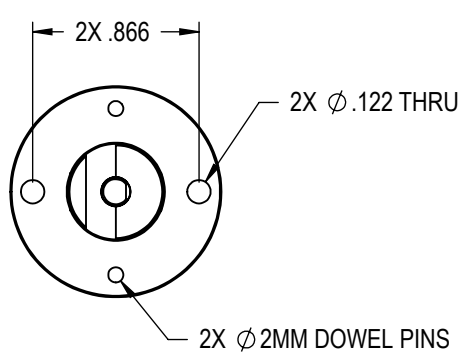
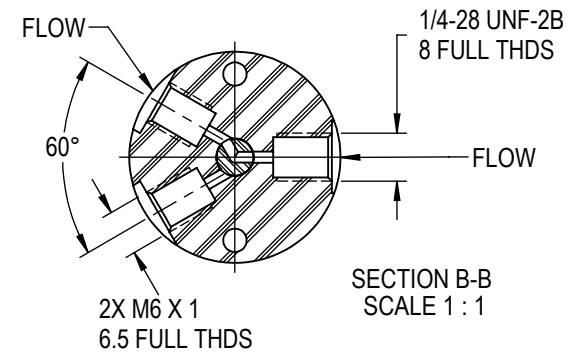
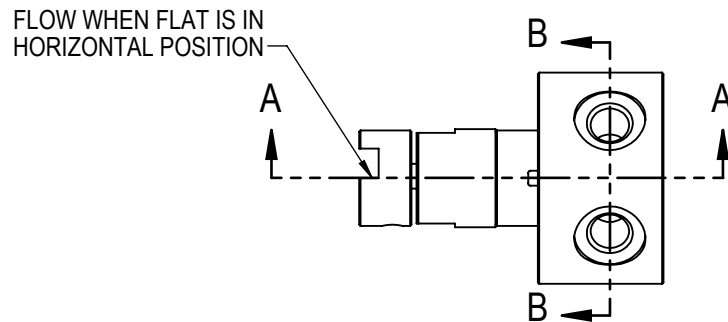
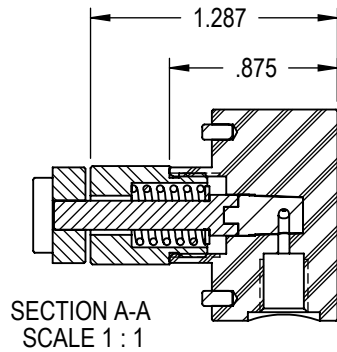


DATE	REV	DESCRIPTION	ENG	APPROVED
11/20	IR	INITIAL RELEASE	SS	MM



FLEX FLUIDICS

LAS VEGAS, NV.

TITLE:

3 WAY VALVE ASSEMBLY FP

PROPRIETARY AND CONFIDENTIAL
THE INFORMATION CONTAINED IN THIS DRAWING IS THE SOLE PROPERTY OF FLEX FLUIDICS. ANY REPRODUCTION IN PART OR AS A WHOLE WITHOUT THE WRITTEN PERMISSION OF FLEX FLUIDICS IS PROHIBITED.

CUST:	
CUST P/N:	
MAT:	
DATE:	11/20

UNLESS OTHERWISE SPECIFIED:
DIMENSIONS ARE IN INCHES
ANGULAR: $\pm 1^\circ$
TWO PLACE DECIMAL: $\pm .015$
THREE PLACE DECIMAL: $\pm .005$
BREAK SHARP EDGES: .005 MAX
INSIDE CORNER RADII: .005 MAX
CONCENTRICITY .003 TIR
SURFACE FINISH: 32 RMS

SIZE	DWG. NO.	REV
A	938051FP	IR

SCALE: 1:1	SHEET 1 OF 1
------------	--------------