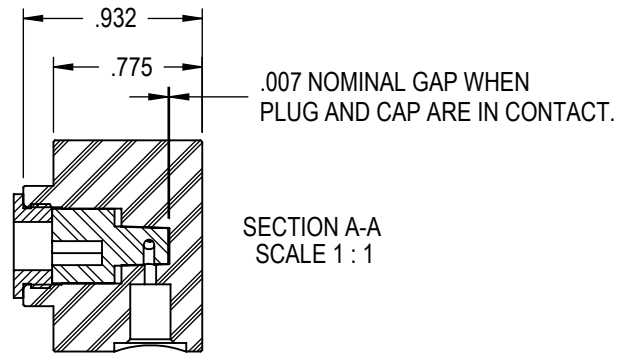
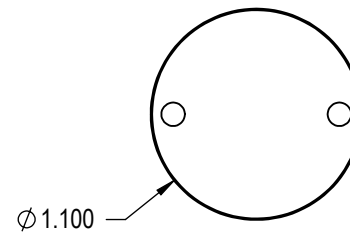
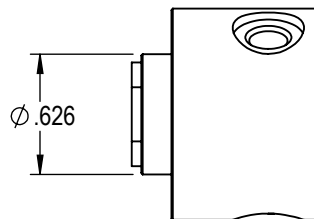
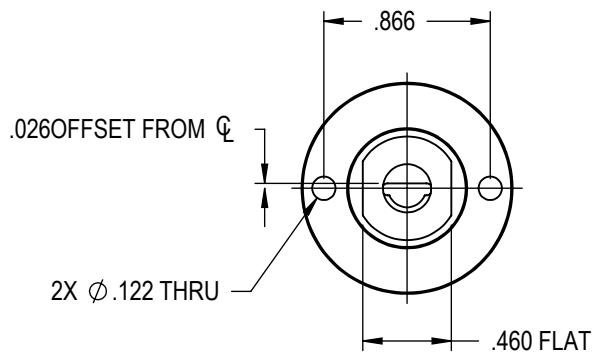
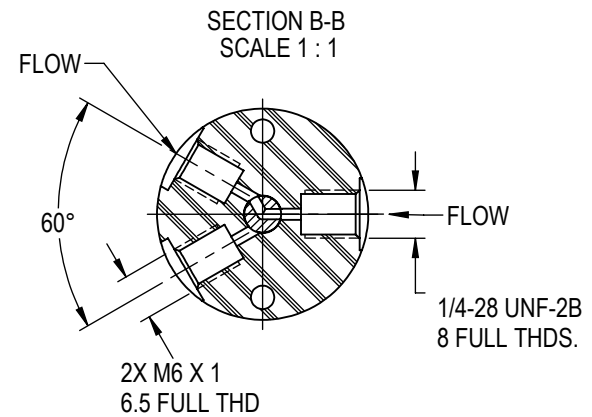
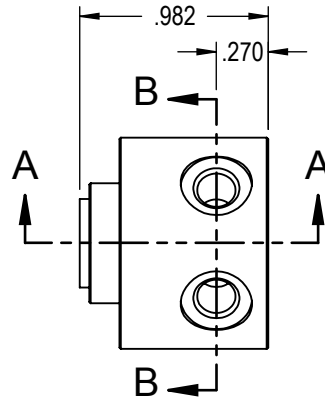
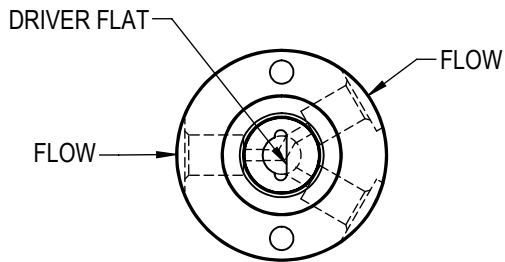


DATE	REV	DESCRIPTION	ENG	APPROVED
11/20	IR	INITIAL RELEASE	SS	MM



FLOW WHEN DRIVER FLAT IS IN VERTICAL POSITION
(VALVE CAP NOT SHOWN IN THIS VIEW)



FLEX FLUIDICS

LAS VEGAS, NV.

TITLE:

3 VALVE ASSEMBLY FE

PROPRIETARY AND CONFIDENTIAL
THE INFORMATION CONTAINED IN THIS DRAWING IS THE SOLE PROPERTY OF FLEX FLUIDICS. ANY REPRODUCTION IN PART OR AS A WHOLE WITHOUT THE WRITTEN PERMISSION OF FLEX FLUIDICS IS PROHIBITED.
DO NOT SCALE DRAWING

CUST:
CUST P/N:
MAT:
DATE: 11/20

UNLESS OTHERWISE SPECIFIED:
DIMENSIONS ARE IN INCHES
ANGULAR: ±1°
TWO PLACE DECIMAL: ±.015
THREE PLACE DECIMAL: ±.005
BREAK SHARP EDGES: .005 MAX
INSIDE CORNER RADII: .005 MAX
CONCENTRICITY .003 TIR
SURFACE FINISH: 32 RMS

SIZE A	DWG. NO. 938151FE	REV IR
SCALE: 1:1		SHEET 1 OF 1